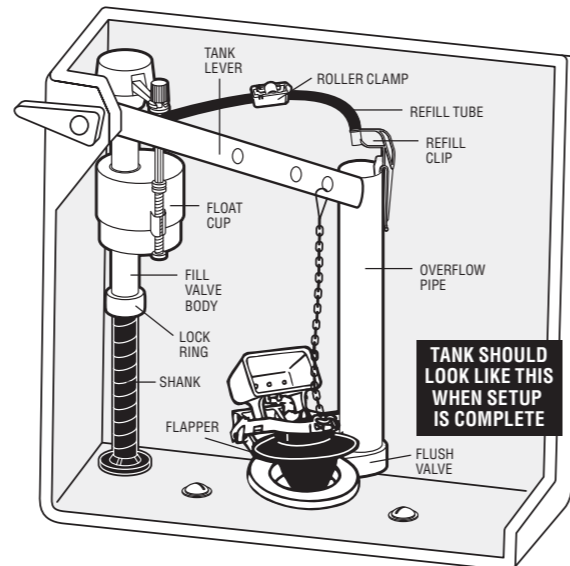


FLUIDMASTER® 5 MINUTE FLUSH VALVE REPAIR KIT, 555C FLAPPER, DRAIN SEAT & TIMING CUP INSTALLATION INSTRUCTIONS

Tools Required:

- Sponge
- Rubbing Alcohol
- Sand Paper or Emery Cloth
- Scrub Brush
- Mineral Oil
- Hair Dryer
- Warm, Soapy Water

DO NOT USE



Note: Save instruction sheet for future reference

PREPARATION

IF YOU ARE REMOVING AN OLDER FLUIDMASTER 5 MINUTE FLUSH VALVE REPAIR KIT:

Pull up firmly and slowly the edge of seat with fingers. Do not pry with a tool. Pull large sections of sealant if any remains. Use mineral oil with a cloth to remove remaining sealant from old seat. Use scrub brush and warm soapy water to thoroughly clean old seat surface. Rinse and dry seat with hair dryer. CAUTION: Do not hold hair dryer in one spot too long. This may crack the porcelain.

IF YOUR FLUSH VALVE ONLY HAS A FLAPPER:

Remove flapper or tank ball. Use scrub brush with warm soapy water to thoroughly clean old seat surface. Rinse and dry seat with hair dryer.

IF YOU HAVE A BRASS FLUSH VALVE:

Use sand paper, steel wool or emery cloth to thoroughly clean seat.

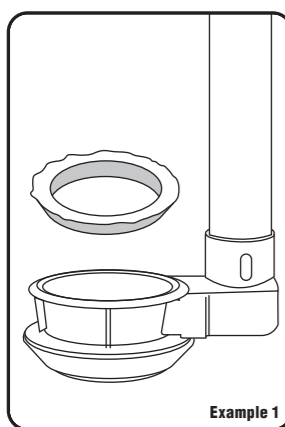
IF YOU ARE SEALING THE 5 MINUTE FLUSH VALVE TO PORCELAIN TANK:

Use scrub brush with warm soapy water to thoroughly clean around porcelain opening. Rinse with water and dry seat using hair dryer. Once porcelain is dried, pour rubbing alcohol on surface and let dry. You are now ready to install the sealant ring and new seat.

WARNING

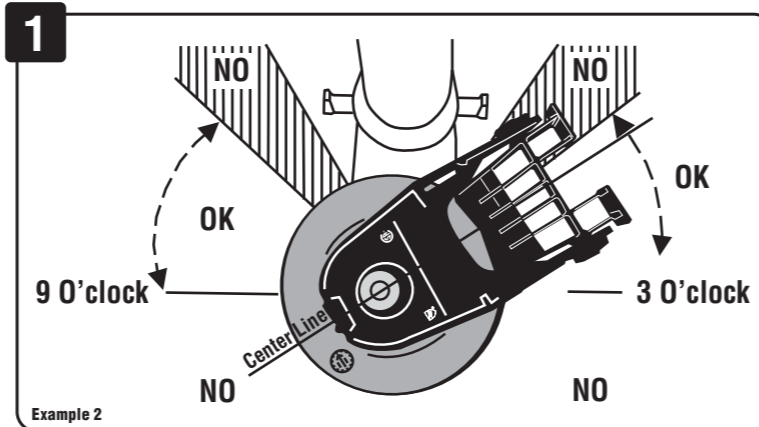
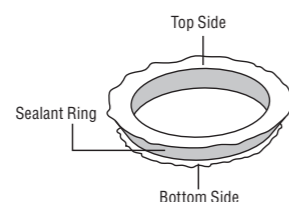
DO NOT USE IN-TANK DROP-IN TOILET BOWL CLEANERS CONTAINING BLEACH OR CHLORINE. Use of such products will: (1) **RESULT IN DAMAGE** to tank components and **MAY CAUSE FLOODING** and **PROPERTY DAMAGE** and (2) **VOID FLUIDMASTER WARRANTY.** Fluidmaster Flush 'n Sparkle Toilet Bowl Cleaning System is recommended for those choosing to use in-tank bowl cleaners and **WILL NOT VOID** the **FLUIDMASTER WARRANTY** because it will not damage the components. **DO NOT** overtighten nuts or tank/bowl may crack. Always use quality Fluidmaster parts when installing or repairing. Fluidmaster will not be responsible or liable for use of non-Fluidmaster parts during installation or repair.

INSTALLATION



INSTALLING NEW SEALANT RING

Remove paper from bottom side of SEALANT RING. Center exposed sealant onto very top surface of clean and dry drain seat or porcelain opening. Apply light pressure. (See example 1)



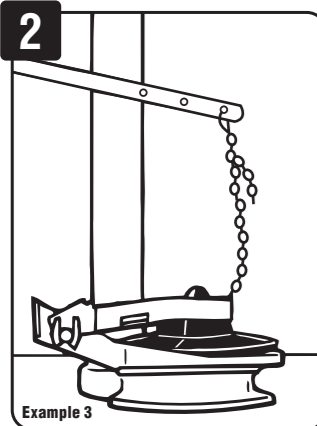
INSTALLING ON A SLANTED SEAT

The center line of the hinge side of the 5 Minute Flush Valve Repair Kit should be positioned ABOVE 3 O'clock or 9 O'clock (using overflow pipe at 12 O'clock,) when installed on an existing slanted seat. Use the center line of the new seat for positioning. (See example 2). Position hinge section of seat in "OK" zone above 3 or 9 O'clock, located in areas marked "OK."

Remove paper from top side of sealant ring and center new seat over sealant and press down firmly.

INSTALLING ON A HORIZONTAL SEAT

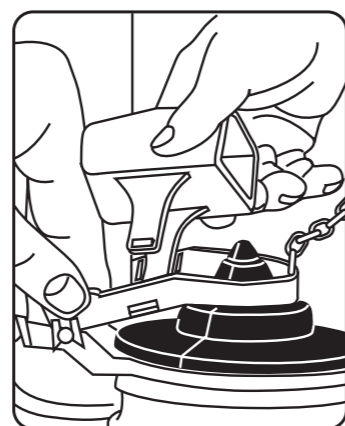
Remove paper from top side of sealant. Position new seat on sealant. Make sure flapper and timing cup do not touch the front or back wall of tank or overflow pipe when fully opened. Press down firmly. (See example 3)



CONNECTING THE CHAIN FROM FLAPPER TO TANK LEVER

With flapper in closed position and toilet tank lever in down position, connect chain clip to the hole of trip lever directly above where chain connects to flapper. Give chain about 1/2 inch of slack.

You can turn on water to tank immediately and check flush. Adjust chain as necessary to achieve proper operation of the 5 Minute Flush Valve.

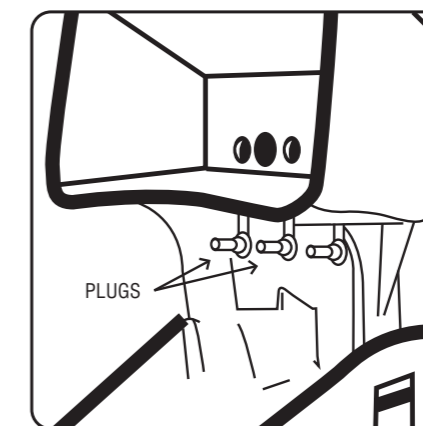


TIMING CUP ADJUSTMENT: USING THE TIMING CUP

The Timing Cup holds the tank flapper open long enough to drain all the water from the tank. The Timing Cup is designed for pre - 1994 toilets, like 3.5 gpf toilets or larger. If you have a 1.6 gpf toilet, it is recommended that you do not use the Timing Cup.

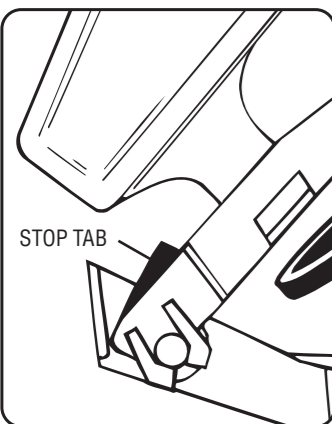
INSTALLING THE TIMING CUP

To install the Timing Cup, place opening of cup toward front of flapper. Press the Timing Cup into the inside of the flapper frame snapping the cup onto the frame. You will hear two clicks when secure.



TIMING CUP ADJUSTMENT: TIMING CUP PLUGS

If it is necessary to increase the amount of time the cup stays open in a 3.5 gpf or larger toilet, clip off one of the TIMING CUP PLUGS from under Timing Cup. From the inside of cup, push plug into any one of the four holes in the bottom of the cup. Repeat for remaining plugs if a longer flush is needed.



TIMING CUP ADJUSTMENT: STOP TABS

The Stop Tabs may need to be cut off if the Timing Cup and plugs are being used but the flapper closes too quickly.

If it still closes too quickly you can clip off the STOP TABS at the back of the flapper frame. See illustration.

TROUBLESHOOTING

FLAPPER CLOSES TOO SOON

- Remove the pin from under Timing Cup and put it into one of the 4 holes in the Timing Cup. Repeat to keep Timing Cup open longer. You can also, remove the STOP TABS. (See Step 2.)
- If you removed the Timing Cup from the flusher fixer and the flapper closes too soon replace the Timing Cup. Try to flush again.
- The chain length should be about 1/2 in. slack. Lengthen or shorten chain until flapper stays open on its own.

WHEN TOILET WAS FLUSHED THE SEALANT RING SEPARATED FROM THE SEAT

- The surface was either not clean enough or wet. Purchase a new SEALANT RING # 2602. Follow Step 1 "Preparing seat surface."
- The replacement flapper for this kit is # 501 "Harsh Water Flapper," available at local hardware stores.

Contact Fluidmaster for troubleshooting help or Ask Bob on www.fluidmaster.com

Fluidmaster Inc.
30800 Rancho Viejo Road
San Juan Capistrano, CA 92675
www.fluidmaster.com
800-631-2011